



Datasheet

Elevated Threshold and Threshold Wing Bar Light type 797 (THR & THRW)

General

CEDD is a smart, safe and sustainable airfield ground lighting technology. Energy and data transport are combined in a single cable. CEDD airfield lights receive their power and data by means of induction and can therefore easily and safely be installed or replaced without making electrical contact.

With up to 70% lower energy consumption compared to regular LED AGL systems, CEDD enables airfields to reduce their impact on the environment. Also, the robust design of the infrastructure is highly suitable for floating 'Follow-the-Greens'. CEDD® AGL provides a solution to face the most challenging future operational demands.

All of the TKH Airport Solutions elevated fixtures are available for regular 6.6-A LED AGL as well as for CEDD® AGL installations. This datasheet covers the specifications of the CEDD Elevated Threshold and Threshold Wing Bar Light type 797 (THR & THRW).

Key Features

Some of the key features of the CEDD Elevated Threshold and Threshold Wing Bar Light type 797 (THR & THRW) are:

- Dust and water resistance: IP 68 and IP69
- Useful lamp life (LED) up to 50,000 hours
- Certification: ICAO/EASA
- Power consumption (CEDD regulated): Standard model THR: 49 W (G); THRW: 49 W (G)
- Ambient temperature: -40 °C (-40 °F) / + 75 °C (+167 °F)
- Compliant with wind load and jet blast requirements
- Fully corrosion-proof components used
- Internal serial interface for diagnostics and parameterization
- Integrated single lamp control
- Intensity control: 0-100%
- Fixture easy to adjust with a single-point tilt adjustment
- Mounting on tube, pole, or directly on CEDD Elevated Base
- Flexible mast adaptation for various diameters of poles

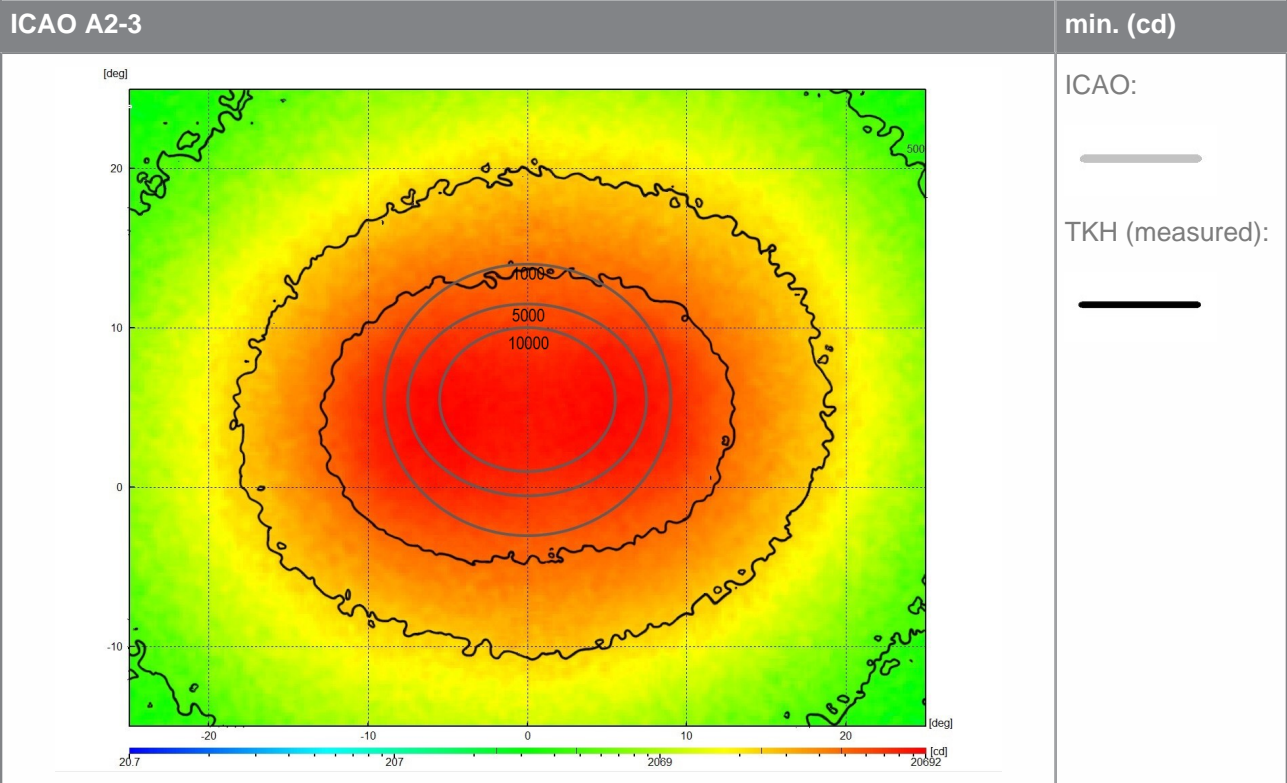
Photometric data in this datasheet (such as light distributions and chromaticities) is based on ICAO certification. FAA data, if applicable, is available upon request. Contact our sales team for more information.

Colors

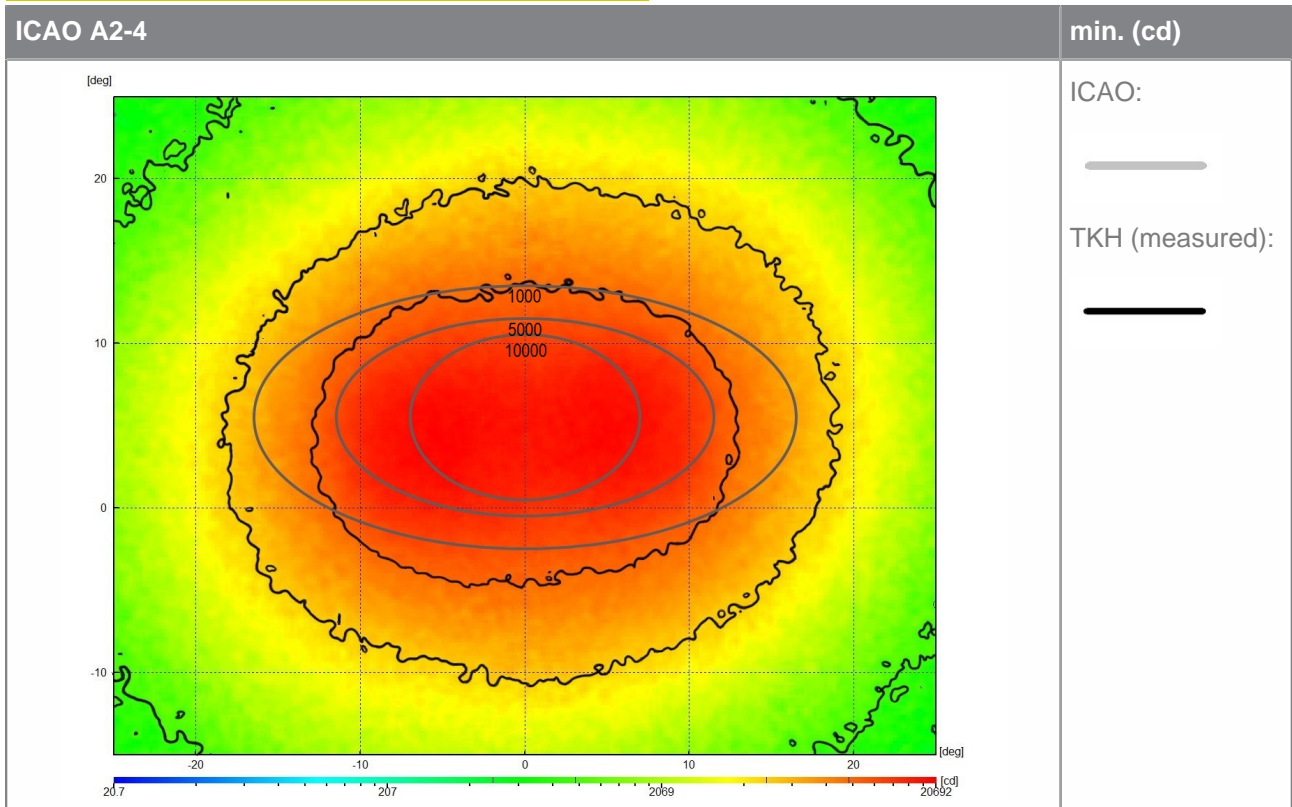
- Green

Light Distributions

Green, Elevated Threshold Light

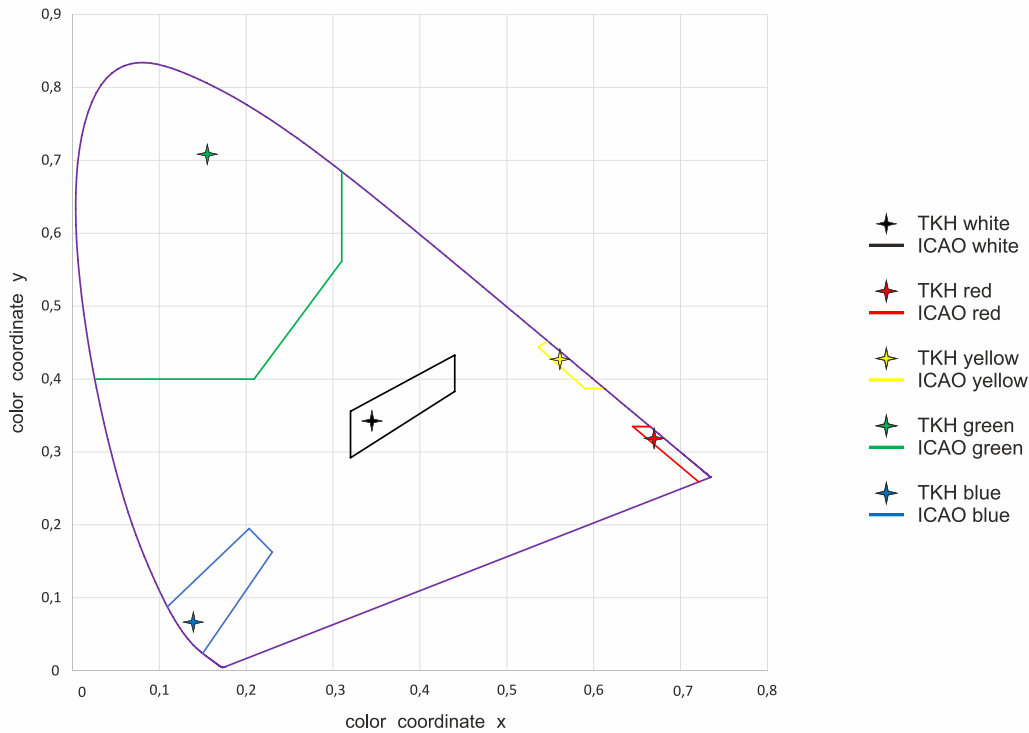


Green, Elevated Threshold Wingbar Light



Chromaticities

Areas description according to ICAO Annex 14, Volume I, Edition 8, July 2018



Coupling

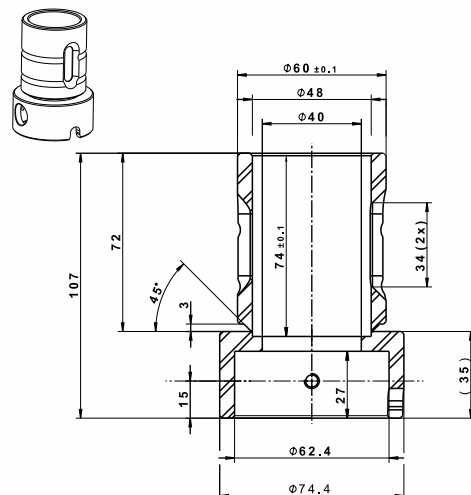
CEDD type 797 elevated light fixtures can be delivered with a TKH frangible coupling:

- Type C (CEDD)

The TKH frangible coupling is calculated and tested to break at:

45 kgm \pm 4 kgm which is in accordance with FAA AC 150/5345-46E and ICAO ADM Part 6.

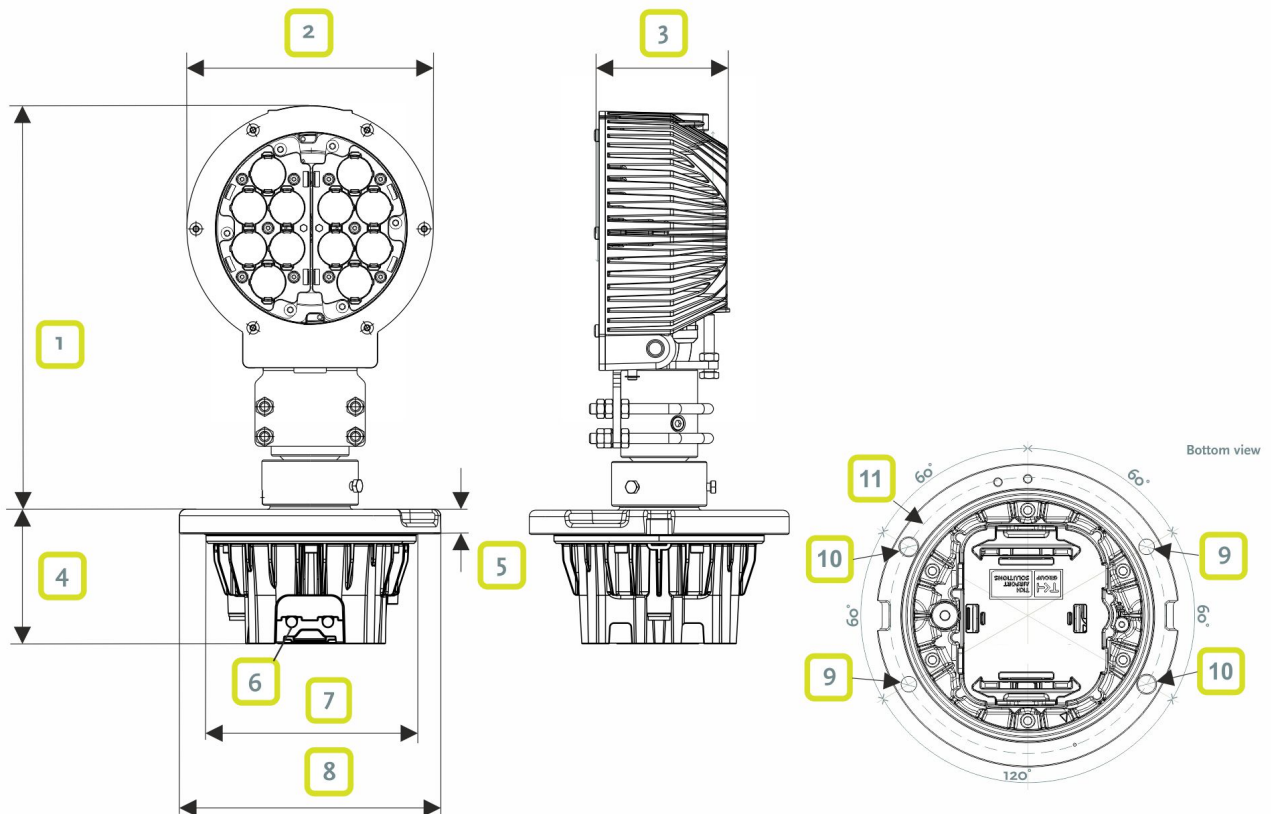
For pole mounting of the CEDD type 797 elevated light fixtures, no coupling is required.



Dimensions

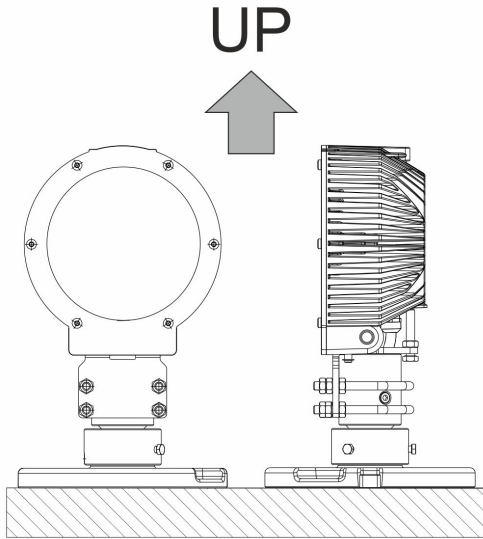
Elevated fixture type 797

	Description	Values
1	Total height of fixture with frangible coupling	311 mm
2	Fixture diameter	190 mm
3	Fixture depth	100 mm
4	Elevated base height	105.7 mm
5	Elevated base cover thickness	19 mm
6	Cable diameter	Max. 7.9 mm
7	Flange diameter	164.9 mm
8	Elevated base cover diameter	201.7 mm
9	Elevated base diameter of mounting bolt holes (2x)	Ø 10.8 mm
10	Elevated base diameter of pilot holes (2x)	Ø 12 mm
11	Elevated base mounting hole center line	184 mm



Operation Position CEDD 797

The CEDD Elevated 797 fixture is for outdoor use only. The operation position must be according the illustration. (Note: drawing is indicative only)



Accessories

Recommended accessories for CEDD Elevated Threshold and Threshold Wing Bar Light type 797 (THR & THRW):

- Adjustment tool for fixture alignment
- 8" shallow base
- Frangible coupling type C (CEDD)

Packing Data

Elevated Fixture type 797

Packing material	Dimensions	Gross weight	Net weight
Cardboard box	535 mm x 223 mm x 135 mm	4.0 - 4.5 kg	3.75 - 4.25 kg

8" Elevated Base

Material	Dimensions	Gross weight	Net weight
Cardboard box	285 x 285 x 200 mm	4.2 kg	3.7 kg

Ordering code CEDD® 797 THR & THRW

Option	Key	Description	THR	-	S	-	3	4	-	G	00	0	00	0	-	3	-	0	0	0	0	-	797	-	C
Function	THR	Threshold																							
	THRW	Threshold Wing Bar																							
Direction	S	Straight																							
Photometric Certification	3	ICAO CAT III																							
Cover/Size	4	Elevated																							
Color Side A	G	Green																							
Toe-in Side A	00	No Toe-In / Not Applicable																							
Color Side B	0	Not Applicable																							
Toe-in Side B	00	No Toe-In / Not Applicable																							
Color Omnidirectional	0	Not Applicable																							
Prism	3	Glass for Elevated Lights																							
Special Options	0	No special options																							
Special Options	0	No special options																							
Special Options	0	No special options																							
Special options	0	No special options																							
Family	797	Unidirectional Elevated																							
Coupling	0	No Coupling																							
	C	CEDD Breakable Coupling																							



Document Information

Name : 04_CEDD_Elevated_Threshold_&_Threshold_Wingbar_797_THR_W_03-70086
Version : V1
Language : English (Original manual)



For the latest version of this document see <https://www.tkh-airportsolutions.com/airfield-products/> or scan



Company profile:

TKH Airport Solutions offers a complete range of LED-based airfield ground lighting products that are designed to be easy to install, operate, and maintain, and are compliant with international aviation standards. Our products meet the needs of our customers and contribute to a better future for the aviation industry. Being part of the TKH Group, our company can build on a history of more than 90 years in smart connectivity, energy distribution and AGL.

More information:

TKH Airport Solutions
sales@tkh-airportsolutions.com
www.tkh-airportsolutions.com
+31 (0)53 57 414 56

Visiting address:

Elektrostraat 17
7483 PG Haaksbergen
The Netherlands