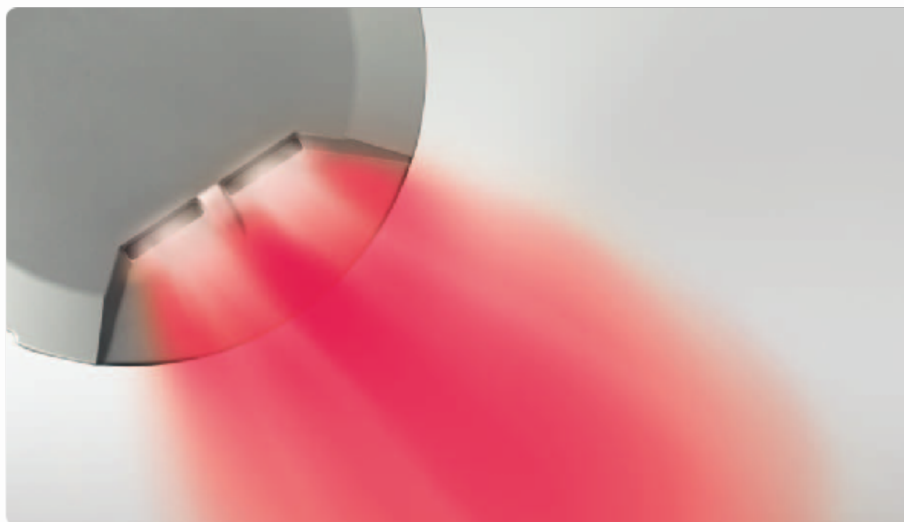




TKH
AIRPORT
SOLUTIONS



Datasheet

Runway End (RWE)

LED AGL
Airfield Ground Lighting

03-71028
V2.4

General

TKH Airport Solutions inset lights are efficient and high-performing LED lights, providing at least 50,000 hours of service life at full 6.6A operation. The LED light fixtures have a simplified modular construction, consisting of five main components:

- Aluminum forging cover plate, with mechanical load capabilities exceeding FAA requirements
- Interchangeable LED light module
- Electronic driver board with housing
- Borosilicate glass prism with optional sapphire glass
- Secondary cable in accordance with FAA or ICAO requirements

This means easy maintenance of the lights because of the reduction of the amount of spare parts.

All of our inset lights are also available in CEDD technology. Please note that the specifications of CEDD lights are different from this datasheet. Contact our team for more details.

Key features

- 8" or 12" outer diameter
- 6.35 mm height above surface
- Depth below flange: 35 mm (for 8"), 50 mm (for 12")
- Light outlet size 40 mm x 6 mm
- Dust and water tightness: IP68, IP69
- Overall lifetime* > 20 years
- Useful lamp life (LED) up to 50,000 h
- Chromaticity coordinates according to ICAO Annex 14, Vol. 1 or FAA AC 150/5345-46E
- Nominal current: 6.6 A (0 – 100 %)
- Nominal AC frequency: 40-70 Hz
- Power consumption (@6.6 A - fixture only, not including cable losses, transformer efficiency, etc): 38 W
- Power factor > 95 % at nominal current
- Ambient temperature: -40 °C (-40 °F) / + 75 °C (+167 °F)
- Internal serial interface for diagnostics and parameterization
- Fail/open function (optional)
- De-icing kit/Heater (optional) - additional max. 14 W while in operation
- Sapphire coated prism (optional)

*) Apart from wear parts

Standards

This fixture has been developed according to the following standards:

- ICAO Annex 14, Vol. 1 and Vol. 2
- FAA AC 150/5345-46E
- Engineering Brief No. 67D
- IEC TS 61827

Colors / Variants

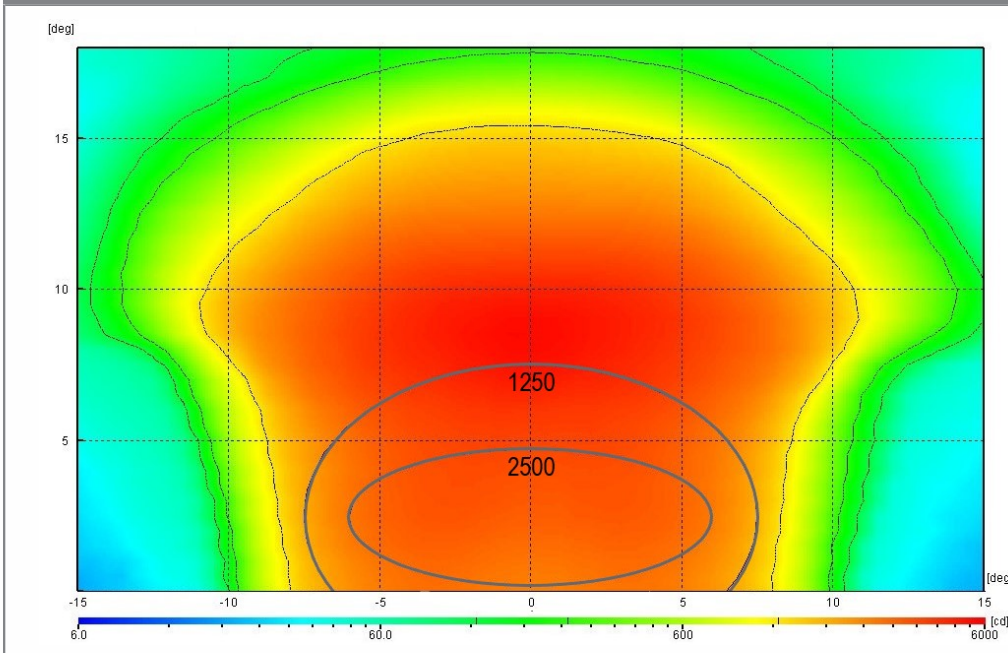
- 8" Unidirectional Red
- 12" Unidirectional Red

Light distributions

Red

ICAO A2-8

min. (cd)



ICAO:

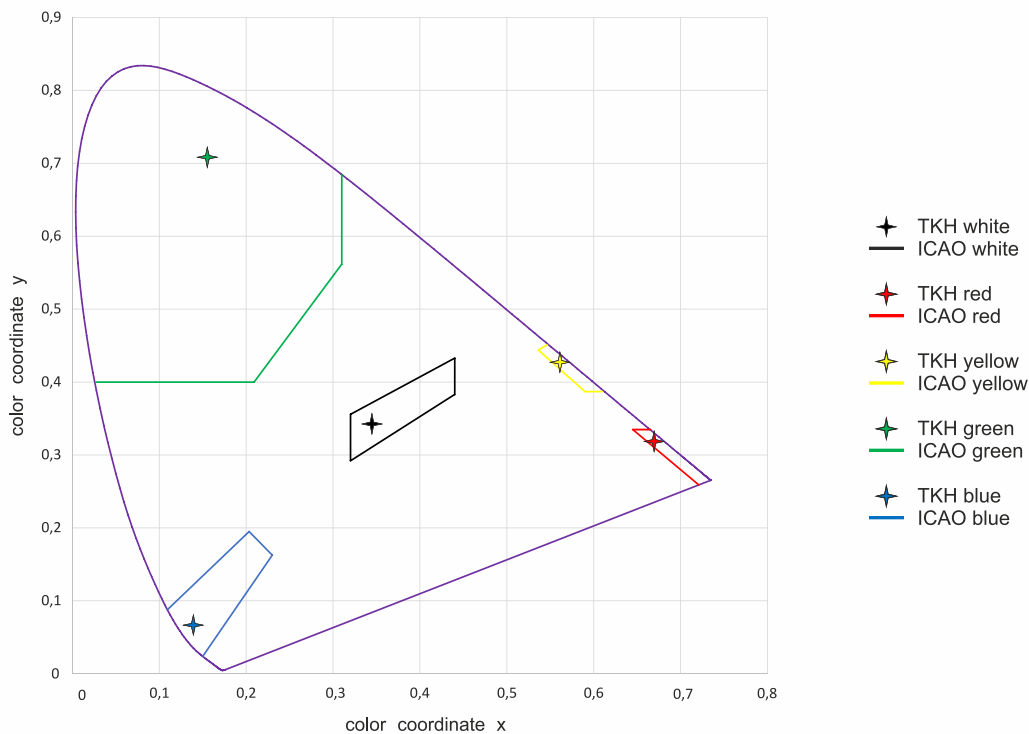


TKH (measured):



Chromaticities

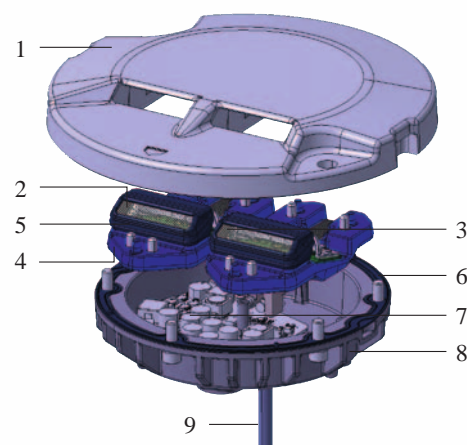
Areas description according to ICAO Annex 14, Volume I, Edition 8, July 2018



Components

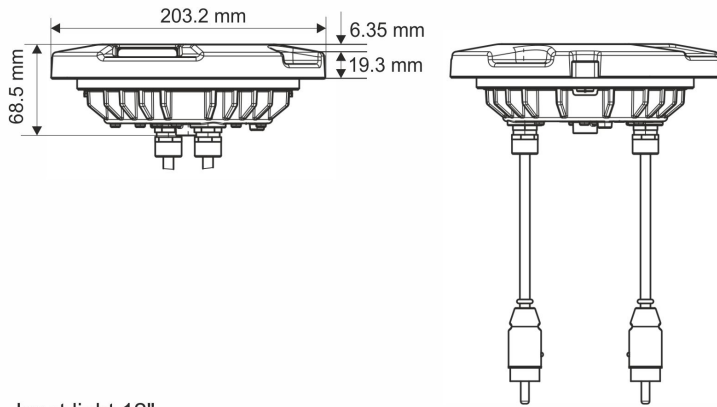
8" Unidirectional variant

1. Cover (drop forged AL, anodised)
2. High power LED module 1
3. High power LED module 2
4. Prism (Borosilicate glass)
5. Sealing aperture (Fluor silicate)
6. Sealing - housing (Fluor silicate)
7. Electronics
8. Housing (Aluminum, die-cast)
9. FAA L-823 plug

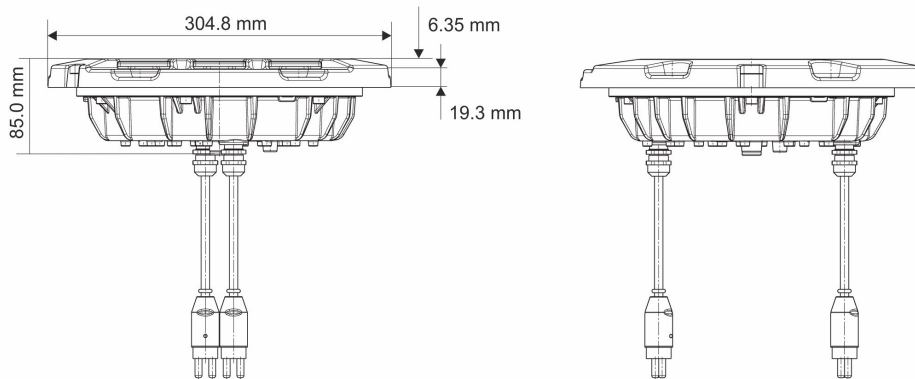


Dimensions

Inset light 8"



Inset light 12"



(Note: drawings are indicative only)

Accessories

- Transformer
- Shallow base
- Installation tools

Please contact sales@tkh-airportsolutions.com to discuss which accessories are required for your application.

Packing data

Variant	Dimensions (L x W x H) in mm	Gross weight in kg	Net weight in kg
8" Fixture	250 x 250 x 105	2.8	2.5
8" Shallow Base	215 x 215 x 130	2.7	2.5
12" Fixture	325 x 325 x 155	6.8	5.8
12" Shallow Base	320 x 320 x 150	7.5	7.1

Document Information

Name : 04_LED_Runway_End_RWE_03-71028

Version : V2.4

Language : English (Original manual)



For the latest version of this document see <https://www.tkh-airportsolutions.com/airfield-products/> or scan

Ordering code

Option	Key	Description	RWE	-	S	-	I	-	3	2	-	R	00	0	00	-	1	-	10	-	1	0	0	0
Function	RWE 850D	Runway End L-850D(L)																						
Direction	S	Straight																						
Regulation	F I	FAA ICAO																						
Light Intensity	1 2 3 4	CAT I CAT II CAT III FAA																						
Cover/Size	1 2 3	8 Inch Cover 12 Inch Cover 8 Inch Flat Cover																						
Color A	R	Red																						
Toe-in A	00	No Toe-In																						
Color B	0	Blank																						
Toe-in B	00	No Toe-In																						
Prism	1 2	Borosilicate Prism Sapphire Prism																						
Cable	10 20 30	250mm One Plug 457mm One Plug 300mm One Plug (combined with 3-pole plug)																						
Plug type	1 2	Standard FAA 2-Pole-Plug Special 3-Pole-Plug																						
Fail-open	0 1 2	Without Fail-Open With Fail-Open Hardware Relais With Fail-Open Signal Interface																						
Heater	0 1	No Heater With Heater																						
Special options	0 1	No Special Options Overheat Protection																						



Company profile:

TKH Airport Solutions offers a complete range of LED-based airfield ground lighting products that are designed to be easy to install, operate, and maintain, and are compliant with international aviation standards. Our products meet the needs of our customers and contribute to a better future for the aviation industry. Being part of the TKH Group, our company can build on a history of more than 90 years in smart connectivity, energy distribution and AGL.

More information:

TKH Airport Solutions
sales@tkh-airportsolutions.com
www.tkh-airportsolutions.com
+31 (0)53 57 414 56

Visiting address:

Elektrostraat 17
7483 PG Haaksbergen
The Netherlands