



# Datasheet

## Stand Maneuvering Guidance Light 60cd (SMGL60)

## General

TKH Airport Solutions inset lights are efficient and high-performing LED lights, providing at least 50,000 hours of service life at full 6.6 A operation. The LED light fixtures have a simplified modular construction, consisting of five main components:

- Aluminum forging cover plate, with mechanical load capabilities exceeding FAA requirements
- Interchangeable LED light module
- Electronic driver board with housing
- Borosilicate glass prism
- Secondary cable in accordance with FAA or ICAO requirements

This means easy maintenance of the lights because of the reduction of the amount of spare parts.

All of our inset lights are also available as part of our CEDD solution. Please note that the specifications of CEDD lights are different from this datasheet. Contact our team for more details.

## Key features

- 8" outer diameter
- 4 mm height above surface
- Depth below flange: 35 mm
- Light outlet size  $\varnothing$  80 mm
- Dust and water tightness: IP68, IP69
- Overall lifetime\* > 20 years
- Useful lamp life (LED) up to 50,000 h
- Chromaticity coordinates according to ICAO Annex 14, Vol. 1 or FAA AC 150/5345-46E
- Nominal current: 6.6 A (0 – 100 %)
- Nominal AC frequency: 40-70 Hz
- Power consumption (@6.6 A - fixture only, not including cable losses, transformer efficiency, etc): 11W
- Power factor > 95 % at nominal current
- Ambient temperature: -40 °C (-40 °F) / + 75 °C (+167 °F)
- Internal serial interface for diagnostics and parameterization
- Fail/open function (optional)
- De-icing kit/Heater (optional) - additional max. 13W while in operation

\*) Apart from wear parts

## Standards

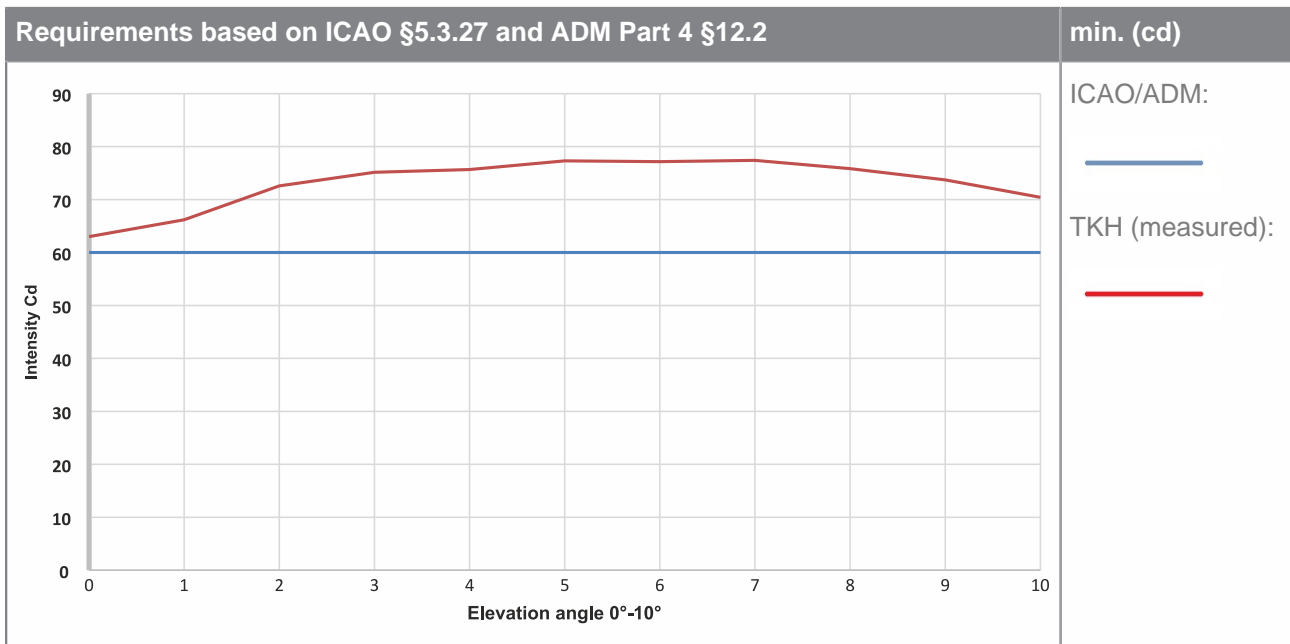
This fixture has been developed according to the following standards:

- ICAO Annex 14, Vol. 1 and Vol. 2
- FAA AC 150/5345-46E
- Engineering Brief No. 67D
- IEC TS 61827

## Colors / Variants

- Omnidirectional yellow

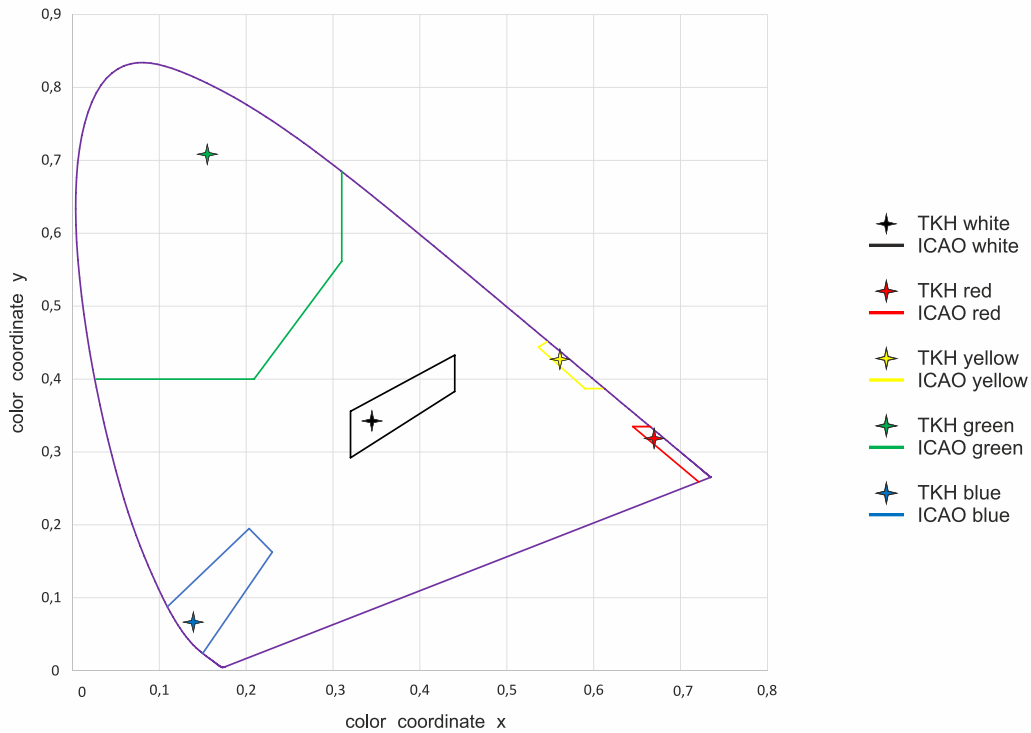
## Light distributions



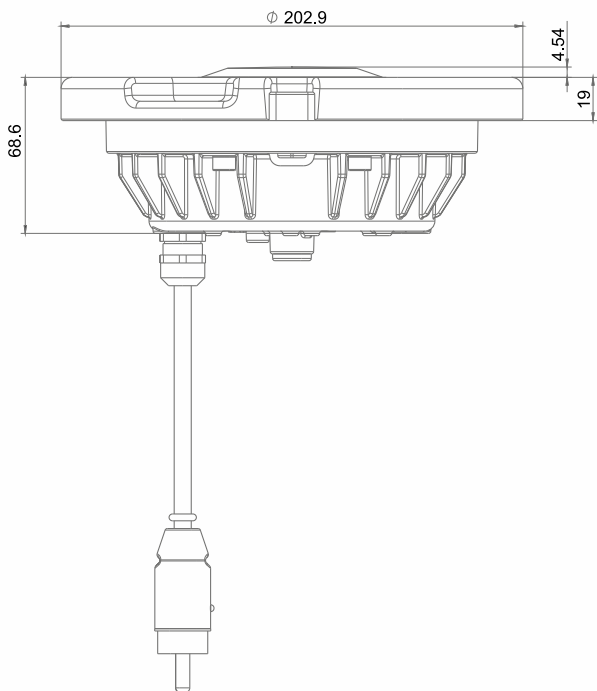
This candela diagram shows a single section of the full 360° diagram.

## Chromaticities

Areas description according to ICAO Annex 14, Volume I, Edition 8, July 2018



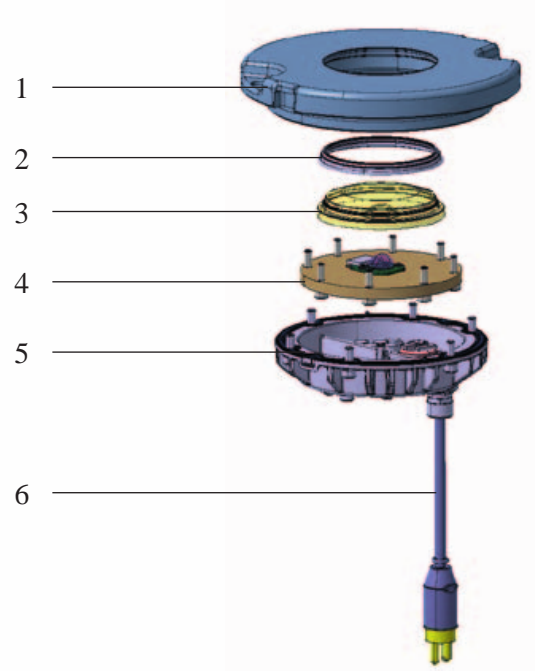
## Dimensions (mm)



## Components

### Omnidirectional

1. Cover (drop forged AL, anodized)
2. Sealing (Fluor silicate)
3. Prism (borosilicate glass)
4. High power LED module
5. Housing (AlSi10Mg, die-cast)
6. FAA L-823 plug



## Accessories

- Transformer
- Shallow base
- Installation tools

Please contact [sales@tkh-airportsolutions.com](mailto:sales@tkh-airportsolutions.com) to discuss which accessories are required for your application.

## Packing data

Variant	Dimensions (L x W x H) in mm	Gross weight in kg	Net weight in kg
8" Fixture	250 x 250 x 105	2.8	2.5
8" Shallow Base	215 x 215 x 130	2.7	2.5

## Ordering code

Option	Key	Description	SMGL60	-	O	-	I	-	3	1	-	Y	00	0	00	-	1	-	10	-	1	0	0	0
<b>Function</b>	SMGL60	Stand Manoeuvring Guidance 60cd																						
<b>Direction</b>	O	Omni																						
<b>Regulation</b>	I	ICAO																						
<b>Light Intensity</b>	1	CAT I																						
	2	CAT II																						
	3	CAT III																						
<b>Cover/Size</b>	1	8 Inch Cover																						
<b>Color A</b>	Y	Yellow																						
<b>Toe-in A</b>	00	No Toe-In																						
<b>Color B</b>	0	Blank																						
<b>Toe-in B</b>	00	No Toe-In																						
<b>Prism</b>	1	Borosilicate Prism																						
<b>Cable</b>	10	250mm One Plug																						
	20	457mm One Plug																						
	30	300mm One Plug (combined with 3-pole plug)																						
<b>Plug type</b>	1	Standard FAA 2-Pole-Plug																						
	2	Special 3-Pole-Plug																						
<b>Fail-open</b>	0	Without Fail-Open																						
	1	With Fail-Open Hardware Relais																						
	2	With Fail-Open Signal Interface																						
<b>Heater</b>	0	No Heater																						
	1	With Heater																						
<b>Special options</b>	0	No Special Options																						
	1	Overheat Protection																						



## Document Information

Name : 04\_LED-AGL\_Stand\_Maneuvering\_Guidance\_Light\_SMGL60\_03-71070

Version : V1.3

Language : English (Original manual)



For the latest version of this document see <https://www.tkh-airportsolutions.com/airfield-products/> or scan



### Company profile:

TKH Airport Solutions offers a complete range of LED-based airfield ground lighting products that are designed to be easy to install, operate, and maintain, and are compliant with international aviation standards. Our products meet the needs of our customers and contribute to a better future for the aviation industry. Being part of the TKH Group, our company can build on a history of more than 90 years in smart connectivity, energy distribution and AGL.

#### More information:

TKH Airport Solutions  
sales@tkh-airportsolutions.com  
www.tkh-airportsolutions.com  
+31 (0)53 57 414 56

#### Visiting address:

Elektrostraat 17  
7483 PG Haaksbergen  
The Netherlands