



Datasheet

Touch Down Zone Light (TDZ)

General

TKH Airport Solutions inset lights are efficient and high-performing LED lights, providing at least 50,000 hours of service life at full 6.6A operation. The LED light fixtures have a simplified modular construction, consisting of five main components:

- Aluminum forging cover plate, with mechanical load capabilities exceeding FAA requirements
- Interchangeable LED light module
- Electronic driver board with housing
- Borosilicate glass prism with optional sapphire glass
- Secondary cable in accordance with FAA or ICAO requirements

This means easy maintenance of the lights because of the reduction of the amount of spare parts.

All of our inset lights are also available in CEDD technology. Please note that the specifications of CEDD lights are different from this datasheet. Contact our team for more details.

Key features

- 8" outer diameter
- 6.35 mm height above surface
- Depth below flange: 35 mm
- Light outlet size 40 mm x 6 mm
- Dust and water tightness: IP68, IP69
- Overall lifetime* > 20 years
- Useful lamp life (LED) up to 50,000 h
- Chromaticity coordinates according to ICAO Annex 14, Vol. 1 or FAA AC 150/5345-46E
- Nominal current: 6.6 A (0 – 100 %)
- Nominal AC frequency: 40-70 Hz
- Power consumption (@6.6 A - fixture only, not including cable losses, transformer efficiency, etc): 19W
- Power factor > 95 % at nominal current
- Ambient temperature: -40 °C (-40 °F) / + 75 °C (+167 °F)
- Internal serial interface for diagnostics and parameterization
- Fail/open function (optional)
- De-icing kit/Heater (optional) - additional max. 13W while in operation
- Sapphire coated prism (optional)

*) Apart from wear parts

Standards

This fixture has been developed according to the following standards:

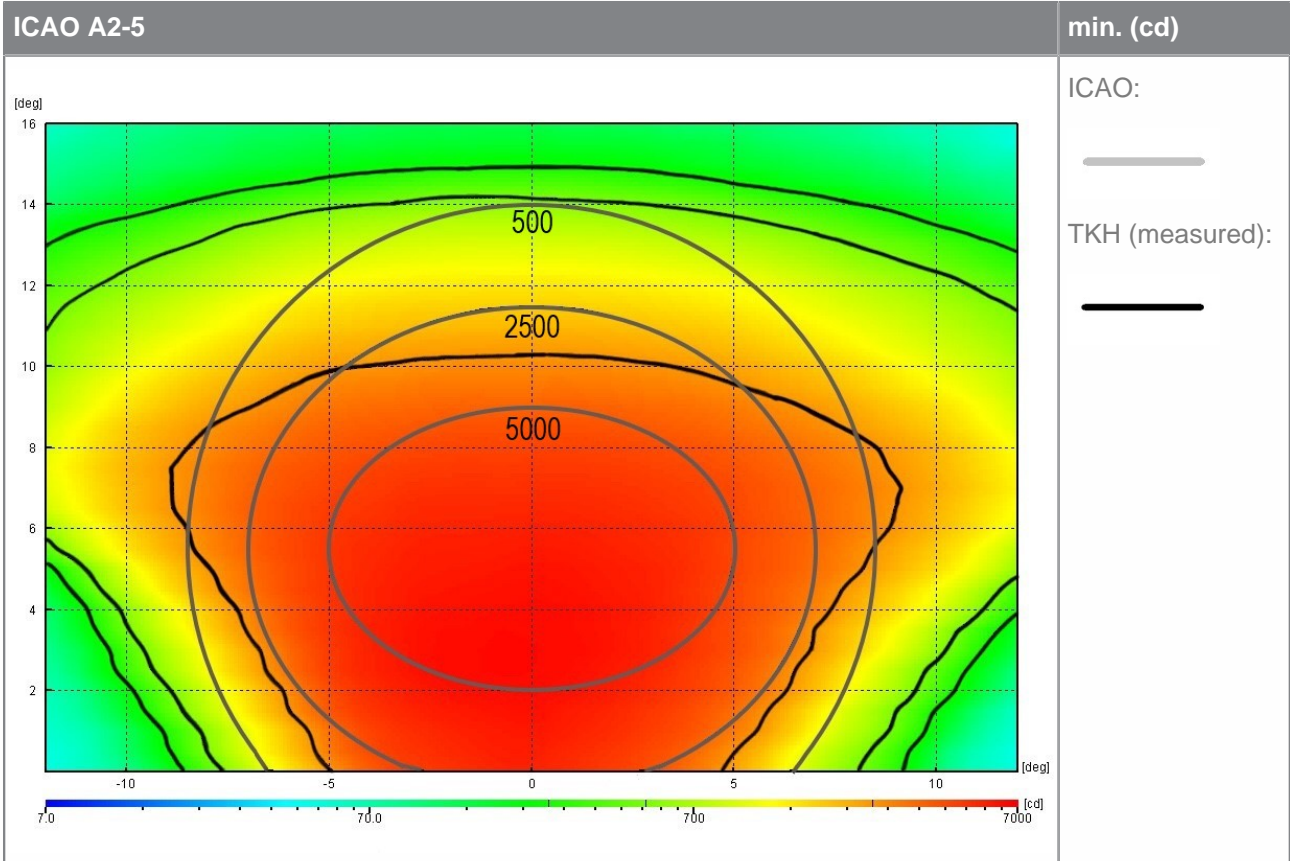
- ICAO Annex 14, Vol. 1 and Vol. 2
- FAA AC 150/5345-46E
- Engineering Brief No. 67D
- IEC TS 61827

Colors/Variants

- Unidirectional White ICAO
- Unidirectional White FAA L-850B(L)

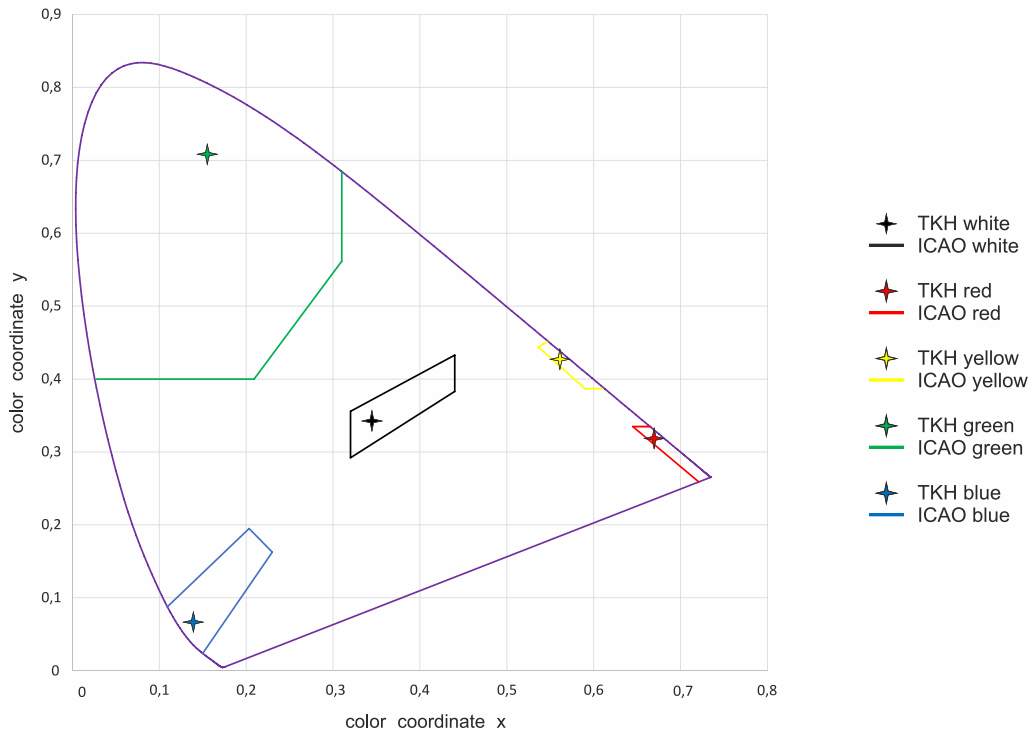
Light distribution

White

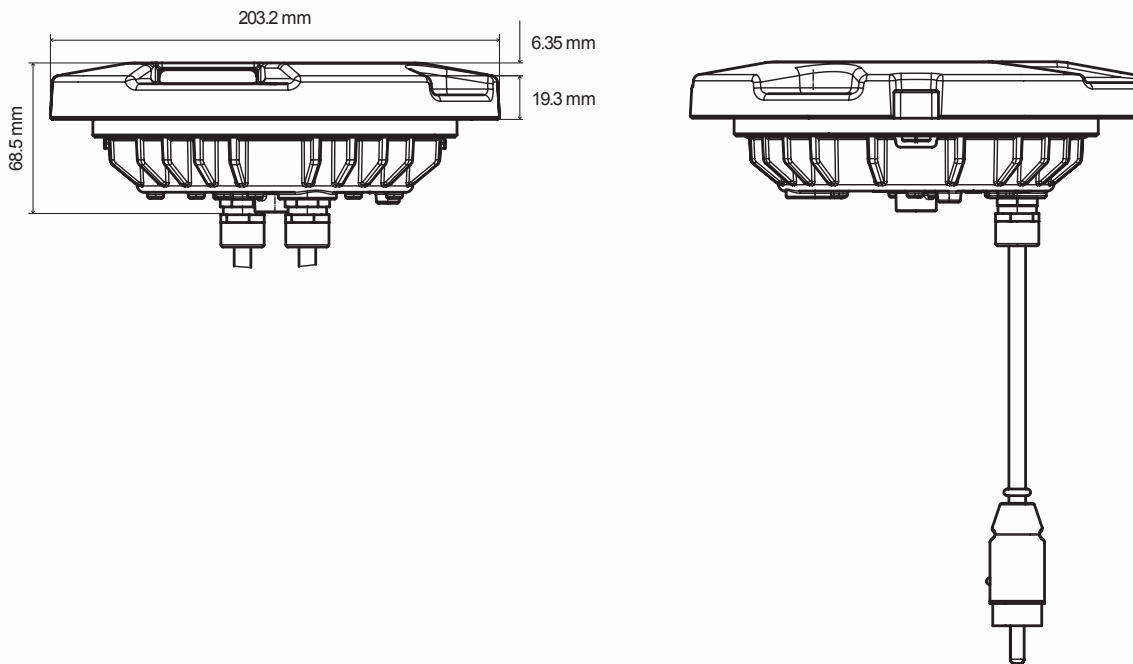


Chromaticities

Areas description according to ICAO Annex 14, Volume I, Edition 8, July 2018



Dimensions



Accessories

- Transformer
- Shallow base
- Installation tools

Please contact sales@tkh-airportsolutions.com to discuss which accessories are required for your application.

Packing data

Variant	Dimensions (L x W x H) in mm	Gross weight in kg	Net weight in kg
8" Fixture	250 x 250 x 105	2.8	2.5
8" Shallow Base	215 x 215 x 130	2.7	2.5

Document Information

Name : 04_LED_Touch_Down_Zone_Light_TDZ_03-71023
Version : V2.4
Language : English (Original)



For the latest version of this document see <https://www.tkh-airportsolutions.com/airfield-products/> or scan

Ordering code TDZ

Option	Key	Description	TDZ	-	S	-	I	-	3	1	-	W	00	0	00	-	1	-	10	-	1	0	0	0
Function	TDZ 850B	Touch Down Zone L-850B(L)																						
Direction	S	Straight																						
Regulation	F I	FAA ICAO																						
Light Intensity	1 2 3	CAT I CAT II CAT III																						
Cover/Size	1 3	8 Inch Cover 8 Inch Flat Cover																						
Color A	W	White																						
Toe-in A	00	No Toe-In																						
Color B	0	Blank																						
Toe-in B	00	No Toe-In																						
Prism	1 2	Borosilicate Prism Sapphire Prism																						
Cable	10 20 30	250mm One Plug 457mm One Plug 300mm One Plug (combined with 3-pole plug)																						
Plug type	1 2	Standard FAA 2-Pole-Plug Special 3-Pole-Plug																						
Fail-open	0 1 2	Without Fail-Open With Fail-Open Hardware Relais With Fail-Open Signal Interface																						
Heater	0 1	No Heater With Heater																						
Special options	0 1	No Special Options Overheat Protection																						



Company profile:

TKH Airport Solutions offers a complete range of LED-based airfield ground lighting products that are designed to be easy to install, operate, and maintain, and are compliant with international aviation standards. Our products meet the needs of our customers and contribute to a better future for the aviation industry. Being part of the TKH Group, our company can build on a history of more than 90 years in smart connectivity, energy distribution and AGL.

More information:

TKH Airport Solutions
sales@tkh-airportsolutions.com
www.tkh-airportsolutions.com
+31 (0)53 57 414 56

Visiting address:

Elektrostraat 17
7483 PG Haaksbergen
The Netherlands